

INTERSTATE



20/24DTA

CONTINUOUS MAIN
BEAM WITH
INTERLOCKING
CROSSMEMBERS

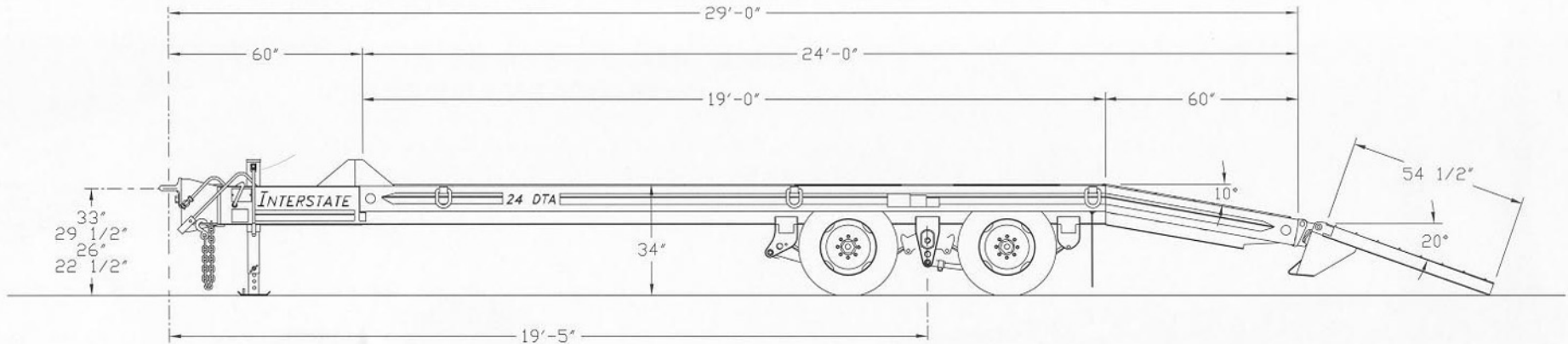
DUAL WHEELS &
TANDEM AXLES

ABS

HEAVY DUTY SPRING
SUSPENSION

DISC TYPE WHEELS

THE
DEFINITION
OF VALUE



MODEL 20DTA (24DTA)

CAPACITY: 20,000#
24,000#

Overall Weight: 5,900#/ **6250#**

Overall Length: 29' 0"

Overall Width: 96"/102"

Platform Length: 24' 0"

Platform Height: 34"

Dovetail Length: 60"

Ramp Length: 54 1/2"

Ramp Width: 21 1/2"

Decking: 2" Nominal Hardwood

Main Rails: W12" x 16# A572 Gr. 50 High Tensile

Crossmembers: 6" Jr. I Beam A572 Gr. 50 High Tensile

Heavy Duty Axles: (2) 10,000#/ **(2) 12,000#**

Heavy Duty Brakes: 12 1/4" x 4" Air/ **12 1/4" x 5" w/ABS**

Heavy Duty Suspension: H9700

Tires: 235/80R16, LRE

Heavy Duty Wheels: 8 hole "Budd" Type Disc

Lights & Electric: Sealed Beam System/ICC & DOT Approved

Hitch: Adjustable Pintle Eye

Landing Legs: 12,000#

Your **INTERSTATE** Dealer Is

[Back To Index](#)