

INTERSTATE



CONTINUOUS COLD
FORMED BEAM DESIGN
WITH INTERLOCKING
CROSSMEMBERS

LOW PROFILE RADIAL TIRES

LOWBOY ABILITY IN A
TAG-A-LONG

50,000# CAPACITY

(3) 22,500# AXLES

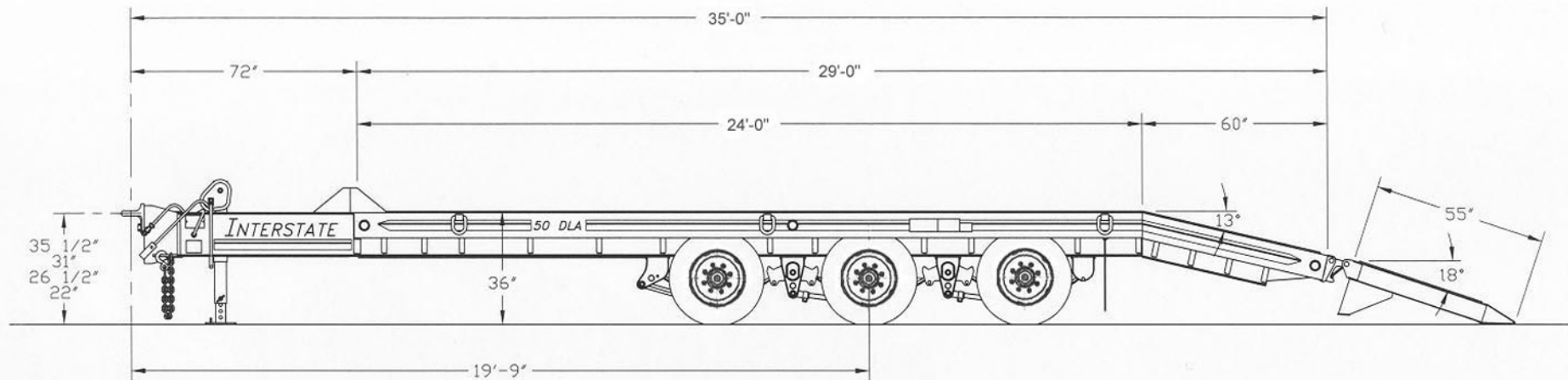
HUB PILOTED WHEELS

50DLA



AIR LIFT THIRD AXLE
(optional)

THE
DEFINITION
OF VALUE



MODEL 50DLA

CAPACITY:	50,000# @ 55 MPH	Main Rails:	W14" x 26# A572 Gr 50 - High Tensile
Trailer Weight:	10,850 lbs.	Crossmembers:	6" Jr. I Beam A572 Gr. 50 - High Tensile
Overall Length:	35'-0"	Heavy Duty Axles:	(3) 22,500#
Overall Width:	96"/102"	Heavy Duty Brakes:	12 1/4" x 7 1/2" Air - ABS
Platform Length:	29'-0"	Heavy Duty Suspension:	H9700
Platform Height:	36"	Tires:	(12) 215/75R x 17.5 - 16 Ply Radials
Dovetail Length:	60"	Heavy Duty Wheels:	8 Bolt, Hub Piloted
Ramp Length:	55"	Lights & Electric:	Sealed Beam System/ICC & Dot approved
Ramp Width:	22 1/2"	Hitch:	Adjustable Pintle Eye
Decking:	2" Nominal Hardwood		

Heavy Duty Jack: 2 Speed 25,000# Capacity

Your **INTERSTATE** Dealer Is