

INTERSTATE

TRAILERS, INC



** Shown With Optional Bi-Fold Ramp
And Outriggers*

**70,000 lb. Load
Capacity**

**235/75R17.5 (H)
Tires On Steel
Disc Wheels**

**Hutch Multi-
Point Spring
Suspension**

**Full Width Neck
With 24° Riser**

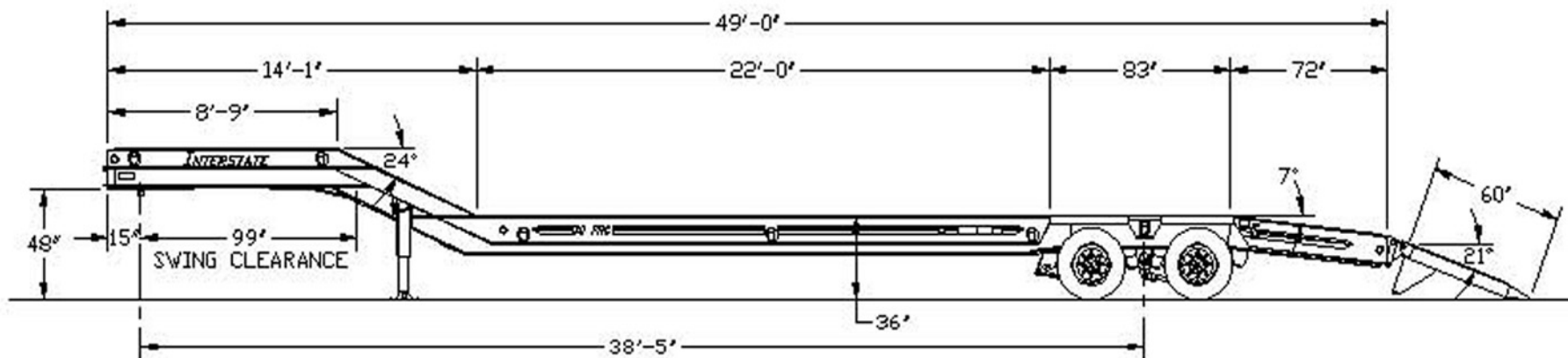
**Dual 2 Speed
Landing Gear**

2" Oak Decking

**THE
DEFINITION
OF VALUE**

TOPRC

For Nearest Dealer Call: 800-433-5384



MODEL: 70PRC

CAPACITY: 70,000 lbs. @ 65mph.
 Overall Weight: 17,500 lbs
 Overall Length: 49'-0"
 Overall Width: 8'-6"
 Deck Length: 28'-11"
 Deck Height: 36"
 Dovetail Length: 6'-0"
 Ramp Length: 5'-0"
 Ramp Width: 22"
 King Pin Setting: 15"
 Swing Clearance: 99"
 King Pin Height: 48"

Decking: 2" Full Cut Oak
 Main Rails: W16" x 50 lbs / ft, Gr. 50 Hi-Tensile
 Outside Rails: C12" x 20.7 lbs / ft, Gr. 50 Hi-Tensile
 Crossmembers: W10" x 12 lbs / ft, Gr. 50 Hi-Tensile, 30" O.C.
 Heavy Duty Axles: (2) Dexter 25,000 lbs. Capacity
 Heavy Duty Brakes: 12-1/4" x 7-1/2" Air with ABS
 Suspension: Hutchens H-9700 Multi-Point Spring
 Tires: (8) 235/75R17.5, (H), 5,675 lbs. Capacity Each
 Wheels: 8 Hole, Hub Piloted Steel Disc, 17.5 x 6.75
 Lights & Electric: LED Lighting With Sealed, Modular Wiring System. DOT Approved
 Hitch: 2" SAE King Pin
 Landing Gear: Dual, 2 Speed, 50,000 lbs. Capacity